

Ebbco Abrasive Bag Hopper

The Ebbco Abrasive Bag Hopper is designed to capture the abrasive discharge from the centrifugal separator from the abrasive removal system. The abrasive settles to the bottom of the hopper bag and begins to de-water itself causing the excess fluid to decant back to the waterjet catch tank. The abrasive bag hopper is standard on all new abrasive removal systems.

Hopper Dimensions: 35" x 35" x 54"



Abrasive Hopper Parts

Part	Part Number	Price
Abrasive Bag Hopper	107625	\$1,450.00
Replacement Liner	105517	\$33.50

Ebbco Settling Weir System

The Ebbco Settling Weir is fitted with a patented disposable liner for easy change out. The over-under settling weir system provide maximum settling time for removal of suspended solids and extend filter life. The liner is capable of holding up to 9 cubic feet of abrasive. The settling weir is recommended for with all closed loop filtration systems. The table over flow water enters the settling weir to settle out solids before overflowing into the closed loop filter system.

Dimensions: 36" L x 24" W x 36" H

Capacity: 120 gallons



Abrasive Hopper Parts

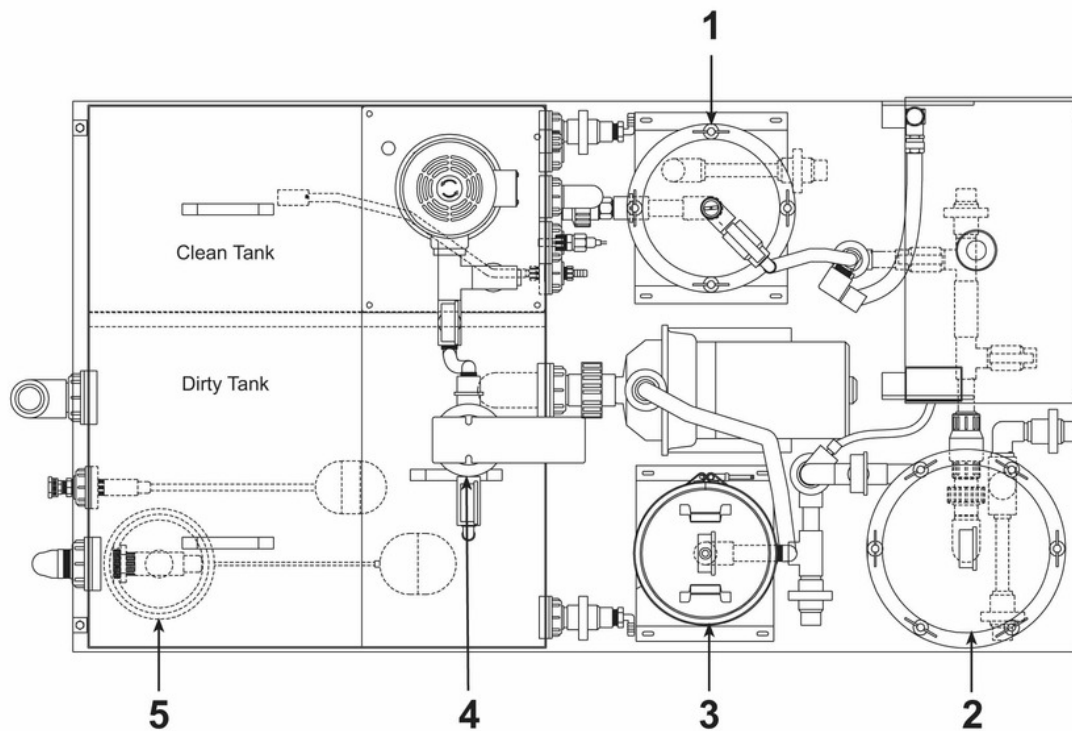
Part	Part Number	Price
Settling Weir	104604	\$1,295.00
Replacement Liner	106267	\$49.00





Ebbco Parts

Consumables



Item	Description	Filtration	Part Number	Price
1	Waterjet Resin		106494	\$170.00
	Resin Exchange Program		106495	\$180.00
2	Sub-Micron Hurricane Cartridge	.35 micron	30217	\$165.00
3	Extended Area Filter Bag	1 micron	104662	\$9.50
4	Sub-Micron Final Filer	.35 micron	104663	\$15.50
5	Pre-Filter Bag		104664	\$7.00

